



Multi-channel flat fan nozzles

Series 600. 130 / 600. 484 / 600. 283 / 600. 493

Particularly silent!



600. 130. 5K (ABS)



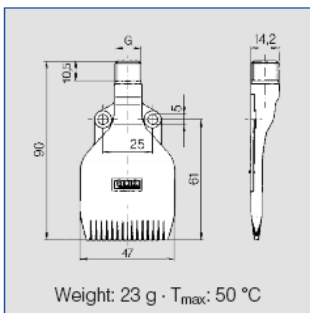
600. 484. 5K (ABS)



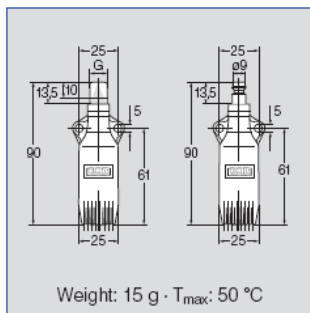
600. 283. 42 (AL)



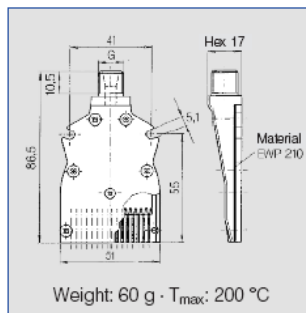
600. 493. 1Y (Stainless steel 316L)



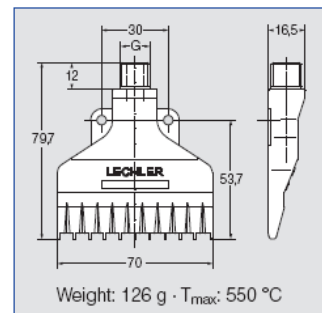
Weight: 23 g · T_{max}: 50 °C



Weight: 15 g · T_{max}: 50 °C



Weight: 60 g · T_{max}: 200 °C



Weight: 126 g · T_{max}: 550 °C

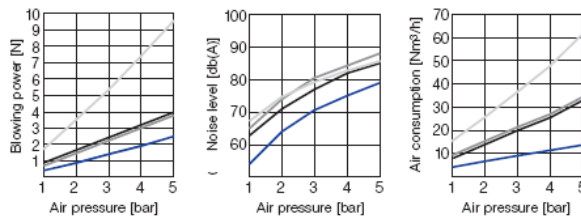
Powerful air jet, acting upon areas. Low noise level. Low air consumption.

Applications:
Blowing off and blowing out, cleaning, drying, cooling, conveying with air.

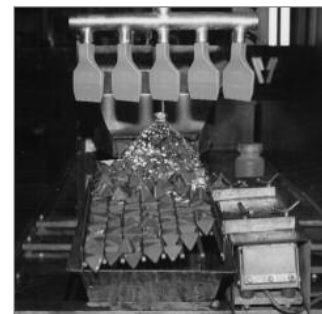


600. 130. 56. 01 with accessories

Technical data



— Type 600. 130 — Type 600. 283 — Type 600. 484 — Type 600. 493



Ordering no.		Connection thread G	Accessories
Type	Code		
600. 130. 5K (Material: ABS)	AC	1/4 BSPP	
	02	1/4 BSPP	Cover strip
	01	1/4 BSPP	Cover strip, Hose nipple (D = 8 mm), Steel clamp (L = 85 mm)
600. 484. 5K (Material: ABS)	AC	1/4 BSPP	
	HG	M12 X 1,25	
	00	Quick release coupling	
600. 283. 42 (Material: Aluminium)	AC	1/4 BSPP	
600. 493. 1Y (Material: stainless steel 316L)	AC	1/4 BSPP	



For more information please ask for our special brochure „Nozzles and Accessories for Compressed Air“.

Example	Type	+	Code	=	Ordering no.
for ordering:	600. 130. 5K	+	AC	=	600. 130. 5K. AC

