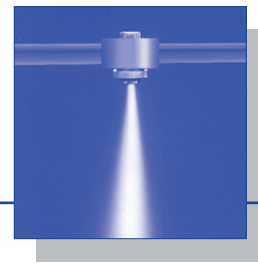


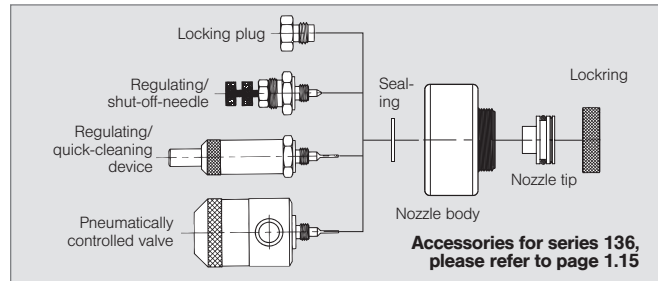
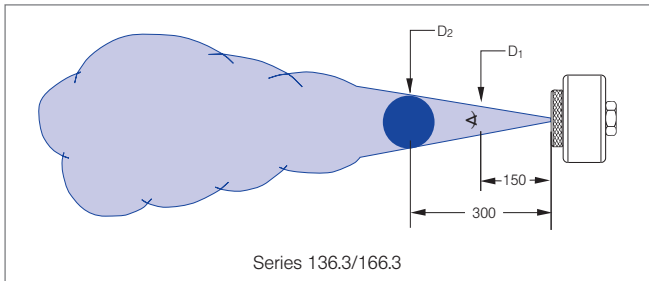
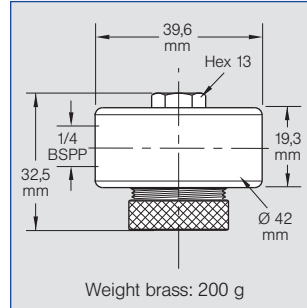


Pneumatic atomizing nozzles, Full cone, siphon principle, external mixing Series 136.3 / 166.3



Particularly fine full cone atomization with air or gas. Siphon principle. External mixing of fluids.

Applications:
Chemical industry, cooling,
atomization of viscous liquids.



Spray angle	Ordering no.		E Ø [mm]	Air		V̇ Water [l/h]								Spray dimensions		
	Type	Mat. no.		p [bar]	V̇ _n [m³/h]	Water column [mm WS]			Aspiration height [mm WS]					p _{Air} [bar]	D ₁ [mm]	D ₂ [mm]
						16	35	450	300	150	100	200	300			
20°	136. 330. xx. 16 166. 330. xx. 16	1.4305/303 SS Brass plated	0,40	1,40	1,30	1,90	1,70	1,50	1,10	1,00	0,90	-	-	1,40	60	120
				2,80	2,10	2,10	2,00	1,80	1,40	1,40	1,30	0,90	-	2,80	60	110
	136. 330. xx. 14 166. 330. xx. 14	0,70	4,10	2,80	2,20	2,20	2,00	1,80	1,70	1,70	1,40	1,10	4,10	60	110	
			5,50	3,60	2,40	2,30	2,20	2,10	2,00	1,90	1,70	1,40	5,50	60	110	
			1,40	1,30	5,60	5,20	4,70	3,50	3,00	2,50	-	-	1,40	50	100	
	136. 329. xx. 14 166. 329. xx. 14	0,70	2,80	2,10	6,50	6,00	5,50	4,50	4,00	3,50	2,00	0,70	2,80	50	110	
			4,10	2,90	7,20	6,70	6,30	5,10	4,60	4,20	3,00	1,90	4,10	50	110	
			5,50	3,80	7,10	6,70	6,30	5,70	5,40	5,10	4,30	3,00	5,50	50	110	
	136. 328. xx. 13 166. 328. xx. 13	1,00	1,40	1,90	5,30	4,90	4,40	3,60	3,20	2,60	1,20	0,50	1,40	70	130	
			2,80	3,10	5,30	4,90	4,50	3,80	3,40	1,80	0,90	0,40	2,80	60	120	
			4,10	4,20	4,60	4,30	3,90	1,00	0,90	0,80	0,50	-	4,10	60	130	
			5,50	5,40	3,40	0,90	0,60	-	-	-	-	-	5,50	110	110	
	136. 327. xx. 12 166. 327. xx. 12	1,50	1,40	2,00	8,90	8,00	7,20	5,50	4,10	3,10	1,30	-	1,40	50	110	
			2,80	3,20	9,70	9,00	8,20	6,50	5,60	4,70	2,70	1,70	2,80	50	100	
			4,10	4,30	9,80	9,00	8,40	6,70	5,90	4,90	2,80	1,70	4,10	60	110	
			5,50	5,50	9,90	9,10	8,50	7,10	6,20	5,10	2,80	1,80	5,50	50	100	
	136. 326. xx. 11 166. 326. xx. 11	2,50	1,40	3,60	19,30	17,40	15,30	11,80	10,30	8,30	0,40	-	1,40	50	90	
			2,80	5,90	16,80	14,80	12,30	8,70	3,60	1,10	-	-	2,80	50	100	
			4,10	7,80	12,90	10,50	7,80	2,00	1,50	-	-	-	4,10	50	100	
	136. 326. xx. 11 166. 326. xx. 11	2,50	5,50	10,00	6,60	3,60	-	-	-	-	-	-	5,50	50	90	
			1,40	6,20	43,70	38,00	31,70	21,20	18,30	16,00	-	-	1,40	50	110	
	136. 326. xx. 11 166. 326. xx. 11	2,50	2,80	9,90	24,20	19,50	15,60	4,50	-	-	-	-	2,80	50	110	

E = narrowest free cross section (water)

Operational information:

Liquid flow of pneumatic atomizing nozzles with external mixing can be turned down to 0 with air pressure remaining constant.

Example for ordering:	Type	+ Material no. (xx)	= Ordering no.
	136. 330. xx. 16	+ 16	= 136. 330. 16. 16

