

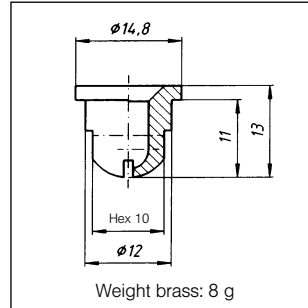


Flat fan nozzles for air or saturated steam

Series 679

Particularly wide-angle, powerful air jet. Assembling with retaining nut. Easy nozzle changing. Simple jet alignment.

Applications:
Blowing off liquids, cooling, reheating, drying.



Ordering no.		A ϕ [mm]	\dot{V}_n L = Air [m ³ /h] \dot{M} S = Saturated Steam [kg/h]									
Type	Mat. no.		p [bar]									
	17 30		0,5		2,0		5,0		10,0			
	1.4571/316 SS Brass		L	S	L	S	L	S	L	S		
679. 037	○	1,2	1,40	0,50	2,60	1,50	5,40	3,20	11,00	6,10		
679. 085	○	1,3	1,20	0,90	3,00	1,90	6,00	3,70	11,10	6,70		
679. 117	○	1,5	1,70	0,80	3,50	2,30	7,80	5,10	15,00	9,50		
679. 165	○	1,8	2,20	1,70	5,30	3,30	10,70	6,60	19,50	11,80		
679. 255	○	2,1	3,20	2,50	7,90	4,90	15,70	9,70	28,80	17,50		
679. 365	○	2,8	5,40	4,10	13,10	8,20	26,20	16,10	48,10	29,10		
679. 415	○	3,6	8,90	6,80	21,70	13,60	43,30	26,70	79,40	48,10		
679. 495	○	4,3	13,40	10,30	32,80	20,60	65,60	40,40	120,20	72,90		

A = Equivalent bore diameter

The folded page at the end of the catalogue will give you a survey on the various assembly possibilities. For complete assembly accessories, please refer to „Accessories“.

Example for ordering Type **679. 037** + Material no. **16** = BOrdering no. **679. 037. 16**

