



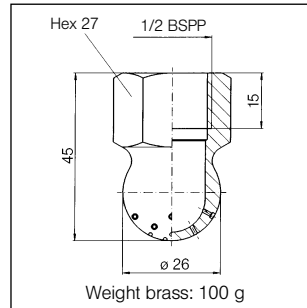
Cluster solid stream nozzles for air or saturated steam.

Series 540 / 541

Powerful air jet with 40 individual bore holes.

Applications:

Injection of steam into liquids, injection of compressed air into bulk goods, gas injection (acid and neutralization baths).



 Spray angle	Ordering no.		B ∅ [mm]	\dot{V}_n Air [m ³ /h]				\dot{M} Saturated steam [kg/h]			
	Type	Mat. no.		p [bar]				p [bar]			
				1,0	2,0	3,0	5,0	1,0	2,0	3,0	5,0
Ca. 240°	540. 909	○	0,8	26,20	39,30	52,50	78,70	21,80	32,00	38,20	58,60
	540. 989	○	1,0	41,00	61,50	82,00	102,00	34,00	50,00	59,70	91,50
	541. 109	○	1,5	92,20	138,00	184,00	231,00	76,60	113,00	134,00	206,00
	541. 189	○	2,0	164,00	246,00	328,00	492,00	136,00	200,00	239,00	366,00
	541. 239	○	2,3	217,00	325,00	434,00	651,00	180,00	265,00	316,00	484,00

B = bore diameter

Example	Type	+	Material no.	=	Ordering no.
for ordering	540. 909	+	16	=	540. 909. 16