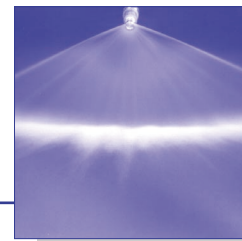




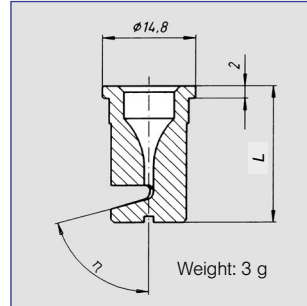
Tongue-type nozzles for retaining nut Series 684

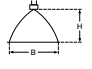


**Assembly with retaining nut.
Wide flat fan with a sharply
delimited spray pattern. Parti-
cularly clog-proof. Easy noz-
zle changing, simple jet align-
ment.**

Applications:

Foam control in storage tanks
and sewage treatment plants.
Cleaning and washing process,
requiring powerful and concen-
trated water jets.



Spray angle	η	Ordering no.		Colour	B ϕ [mm]	\dot{V} [l/min]			L [mm]	Spray width B at $p = 2$ bar  H = 250 mm	
		Type	Mat- no.			p [bar]					
			56			5E	1,0	2,0			5,0
			POM	PVDF							
140°	75°	684. 368	○	○	yellow	0,8	0,45	0,63	1,00	20	1360
	75°	684. 408	○	-	blue	1,0	0,71	1,00	1,58	20	1370
	75°	684. 448	○	-	red	1,2	0,88	1,25	1,98	20	1370
	75°	684. 488	○	○	brown	1,3	1,13	1,60	2,53	20	1370
	75°	684. 528	○	-	grey	1,5	1,41	2,00	3,16	20	1370
	75°	684. 568	○	○	white	1,7	1,77	2,50	3,95	19	1370
	75°	684. 608	○	-	light blue	1,9	2,23	3,15	4,98	19	1370
	75°	684. 688	○	-	green	2,4	3,54	5,00	7,91	17	1370
	75°	684. 728	○	○	black	2,7	4,45	6,30	9,96	17	1370
	75°	684. 808	○	-	purple	3,4	7,07	10,00	15,81	16	1370

B = bore diameter

Example	Type	+	Material no.	=	Ordering no.
for ordering:	684. 368	+	16	=	684. 368. 16

The folded page at the end of the catalogue will give you a survey on the various assembly possibilities. For complete assembly accessories, please refer to „Accessories“.

