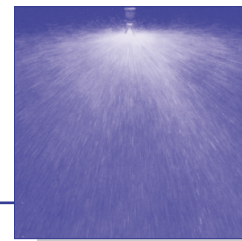




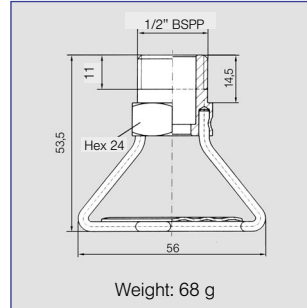
Deflector-plate nozzle

Series 525



Full cone spray. Non clogging nozzle without swirl insert.

Applications:
Fire fighting and broadcast spraying, wide area spray.



Weight: 68 g

Spray angle	Ordering no.		B Ø mm	\dot{V} [l/min]						Spray diameter D at p=3 bar ca.	
	Type	Mat. no.		p [bar]						 H = 1 m H = 3 m	
				0,5	1,0	[US gal./ min] at 40 psi	3,0	5,0	10,0		
180°	524. 809	○ ○	4,00	5,00	7,10	3,10	12,20	15,80	22,40	5,80 m	9,20 m
	525. 049*	○ ○	8,00	20,00	28,30	12,41	49,00	63,20	89,40	12,80 m	15,80 m
	525. 109*	○ -	9,30	28,00	40,00	17,37	69,00	89,00	125,00	14,00 m	15,80 m
	525. 169*	○ -	10,90	40,00	57,00	24,81	98,00	126,00	179,00	15,20 m	17,40 m
	525. 229	○ -	12,20	56,00	79,00	34,73	137,00	177,00	250,00	15,20 m	17,40 m
	525. 269	○ ○	12,30	70,00	99,00	43,42	171,00	221,00	313,00	16,60 m	19,20 m

B = bore diameter

Example:	Type	+	Material no.	=	Ordering no.
for ordering	524. 809	+	30	=	524. 089. 30

***Lechler deflector-plate nozzles are VDS approved. VDS registration number for all 3 nozzle types is: A 4870876**



For information on further fire fighting nozzles please refer to our brochure, „Lechler nozzles for fire fighting“. Please ask for this brochure, using the telefax form at the end of the catalogue.