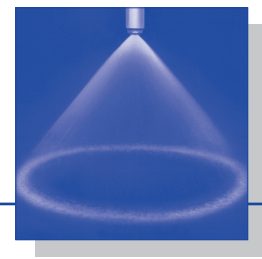




# Axial-flow hollow cone nozzles

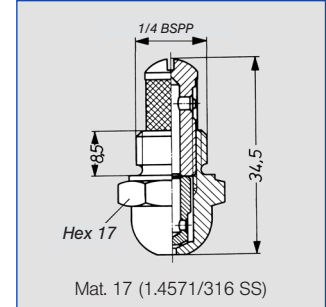
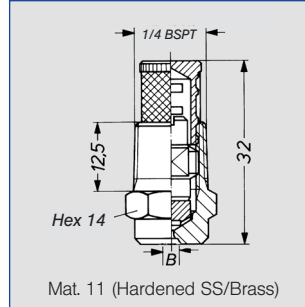
## Series 212



### Extremely fine, fog-like hollow cone spray.

Applications:

Disinfection, humidification of air, spraying over germinating boxes, product humidification, humidification of textiles, spraying of oil, absorption.



Spray angle	Ordering no.					B Ø [mm]	E Ø [mm]	V̇ [l/min]						Spray diameter D at p = 7 bar	
	Type	Mat. no.		Code				p [bar]						Diagram	
		11 1.4104/Brass	17 1.4571/316 SS	AC	CC			1/4 BSPP	1/4 BSPT	2,0	3,0	5,0	7,0	10,0	20,0
60°	212. 004	-	○	AC	-	0,10	0,10	-	-	0,013	0,015	0,018	0,025	80	120
	212. 014	-	○	AC	-	0,15	0,15	-	-	0,019	0,023	0,027	0,039	80	120
	212. 054	-	○	AC	-	0,20	0,15	-	-	0,027	0,033	0,039	0,057	80	120
80°	212. 085	○	-	-	CC	0,25	0,25	-	-	0,040	0,047	0,057	0,080	140	220
	212. 125	○	○	AC	CC	0,35	0,25	-	0,048	0,062	0,073	0,088	0,124	140	220
	212. 145	○	-	-	CC	0,40	0,30	-	0,063	0,082	0,097	0,116	0,164	140	220
	212. 165	○	-	-	CC	0,45	0,30	-	0,080	0,103	0,122	0,146	0,206	140	220
	212. 185	○	-	-	CC	0,50	0,35	-	0,101	0,130	0,154	0,184	0,260	140	220
	212. 205	○	-	-	CC	0,60	0,30	0,107	0,131	0,168	0,199	0,238	0,336	140	220
	212. 245	○	-	-	CC	0,70	0,45	0,166	0,202	0,261	0,310	0,370	0,522	140	220
212. 285	○	○	AC	CC	0,90	0,60	0,262	0,320	0,390	0,460	0,550	0,770	140	220	

B = bore diameter · E = narrowest free cross section

**Example for Ordering:** Type + Material no. + Code = Ordering no.  
212. 004 + 17 + AC = 212. 004. 17. AC

The folded page at the end of the catalogue will give you a survey on the various assembly possibilities. For complete assembly accessories, please refer to „Accessories“.

The integrated strainer avoids clogging of the nozzle and increases its service life.

Materials			
Material no.	Nozzle	Strainer holder	Strainer
11	1.404 (hardened SS)	Brass	Monel
17	1.4571/316 SS	1.4571/316 SS	1.4571/316 SS

Conversion formula for the above series:  $\dot{V}_2 = \dot{V}_1 \cdot \sqrt{\frac{p_2}{p_1}}$

