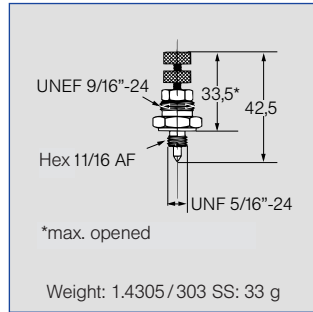
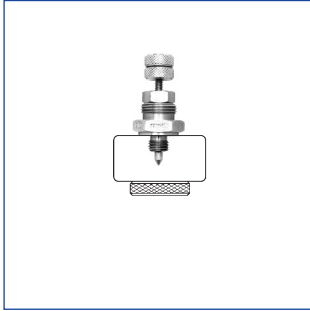




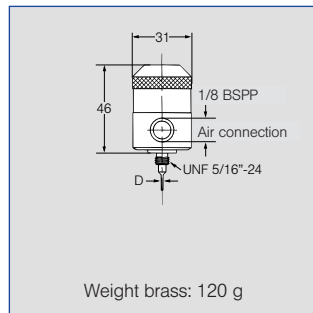
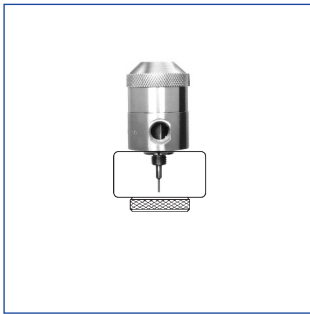
Accessories for pneumatic atomizing nozzles of the series 136.1 - 136.6

Regulating device and shutting-off needle:



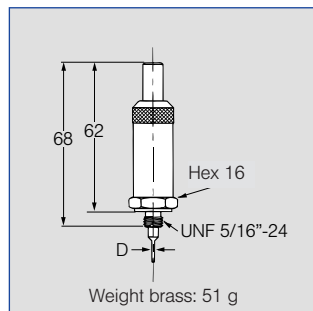
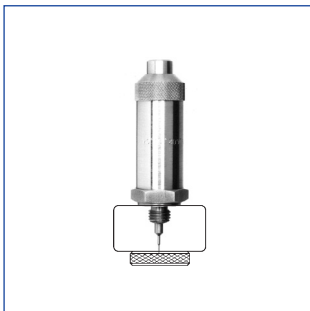
| Ordering no. | | For all nozzles of the series 136 |
|--------------|---------------------|-----------------------------------|
| Type | Mat. no. | |
| 015. 600 | 16 1.4305/303 SS | |

Pneumatically controlled valve. Opening pressure 2,1 bar, max. 180 cycles/min.



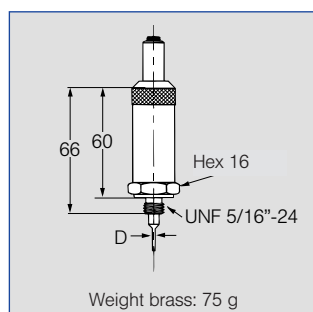
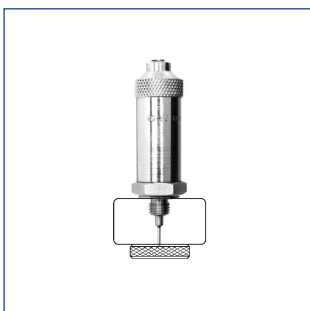
| Ordering no. | | For nozzles | Needle diameter D [mm] |
|------------------|--|------------------|------------------------|
| Type | Mat. no. | | |
| | 16 35 1.4305/303 SS Brass plated | | |
| 015. 601. xx. 01 | ○ ○ | 136. xxx. xx. 11 | 2,4 |
| 015. 601. xx. 02 | ○ ○ | 136. xxx. xx. 12 | 1,4 |
| 015. 601. xx. 03 | ○ ○ | 136. xxx. xx. 13 | 1,0 |
| 015. 601. xx. 04 | ○ ○ | 136. xxx. xx. 14 | 0,7 |
| 015. 601. xx. 05 | ○ ○ | 136. xxx. xx. 15 | 0,5 |
| 015. 601. xx. 06 | ○ ○ | 136. xxx. xx. 16 | 0,3 |

Quick-cleaning device



| Ordering no. | | For nozzles | Needle diameter D [mm] |
|------------------|--|---------------|------------------------|
| Type | Mat. no. | | |
| | 16 35 1.4305/303 SS Brass plated | | |
| 015. 602. xx. 01 | ○ ○ | 136.xxx.xx.11 | 2,4 |
| 015. 602. xx. 02 | ○ ○ | 136.xxx.xx.12 | 1,4 |
| 015. 602. xx. 03 | ○ ○ | 136.xxx.xx.13 | 1,0 |
| 015. 602. xx. 04 | ○ ○ | 136.xxx.xx.14 | 0,7 |
| 015. 602. xx. 05 | ○ ○ | 136.xxx.xx.15 | 0,5 |
| 015. 602. xx. 06 | ○ ○ | 136.xxx.xx.16 | 0,3 |

Regulating device with quick-cleaning needle



| Ordering no. | | For nozzles | Needle diameter D [mm] |
|------------------|--|------------------|------------------------|
| Type | Mat. no. | | |
| | 16 35 1.4305/303 SS Brass plated | | |
| 015. 603. xx. 01 | ○ ○ | 136. xxx. xx. 11 | 2,4 |
| 015. 603. xx. 02 | ○ ○ | 136. xxx. xx. 12 | 1,4 |
| 015. 603. xx. 03 | ○ ○ | 136. xxx. xx. 13 | 1,0 |
| 015. 603. xx. 04 | ○ ○ | 136. xxx. xx. 14 | 0,7 |
| 015. 603. xx. 05 | ○ ○ | 136. xxx. xx. 15 | 0,5 |
| 015. 603. xx. 06 | ○ ○ | 136. xxx. xx. 16 | 0,3 |

Example for ordering: Type 015. 602. xx. 01 + Material no. (xx) + 16 = Ordering no. = 015. 602. 16. 01